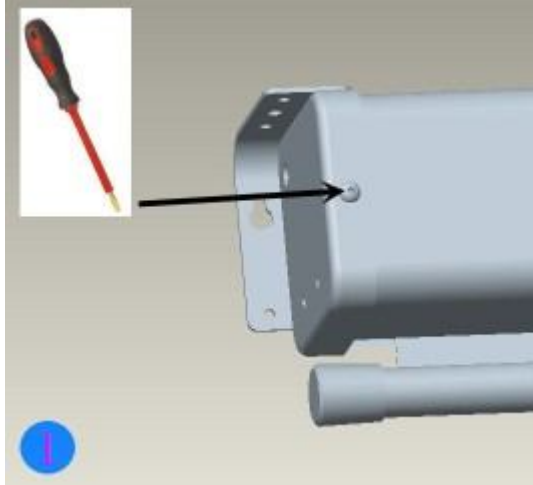
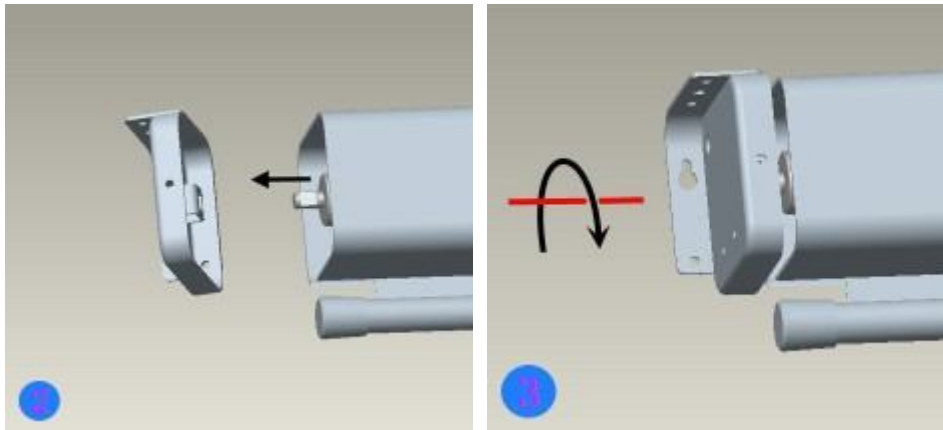


REPLACEMENT INSTRUCTION

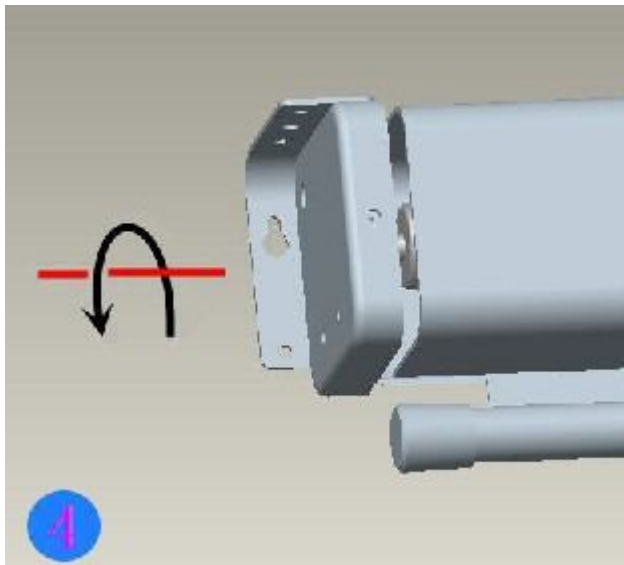
1. Use screwdrivers to take off the damaged left cover of manual screen casing



2. Pull out inside lock system a bit, and install a new cover to the square plastic head of lock system, turning the new cover anti-clockwise to release spring of lock system



3. When spring is released completely, turning the new cover clockwise 10 circles to tight the springs again. Then turn it a bit anti-clockwise to lock the spring automatically



4. Push the lock system in, make sure left end is on the correct position. Finally, use screwdrivers to tight the screws.

