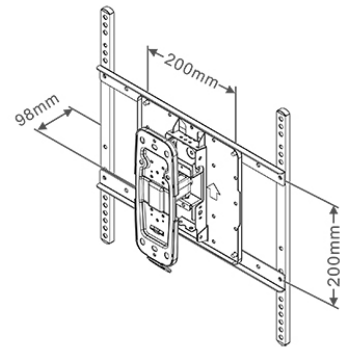
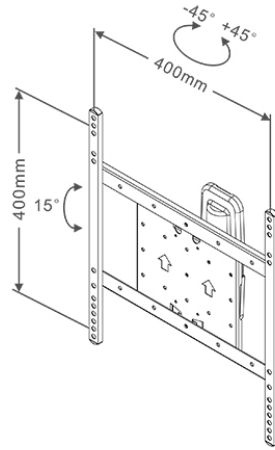




Ready when you are.



M VESA Flexarm Tilt & Turn I

Art No: 7 350 073 732 241

The uniquely designed low profile M VESA Flexarm Tilt & Turn I mount fits most 26" and up to 42" flat panels up to 25 kgs. It is very well-suited for those applications where seamless integration counts the most. The M VESA Flexarm Tilt & Turn I is part of the Tilt & Turn Series of fixed, tilt and cantilever mounts offering a unique design without compromising on functionality. Moreo-

ver, this wallmount has an extended profile of 98 mm from the wall. Super Slim defines the minimal 98 mm of the low profile to wall proving that this construction is truly flexible being so lightweight. Yet still, produced with high quality materials creating a super strong solution carrying screen up to 25 kgs.

SPECIFICATIONS

M VESA Flexarm Tilt & Turn I	
For screen size:	26-42"
Universal & VESA standard:	100x100 200x100 200x200 300x300 300x200 400x200 400x400
EAN:	7 350 073 732 241
Size in mm:	488x273x98 (W*H*D)
Weight:	2,1 kg
Colour:	Black
Max load:	25 kg
Distribution package:	6 pcs
Warranty:	5 years
Cable tie:	Included
Security lock:	Optional
Single box size (WxDxH):	550x340x122mm
Units on a EUR-pallet:	80 pcs

